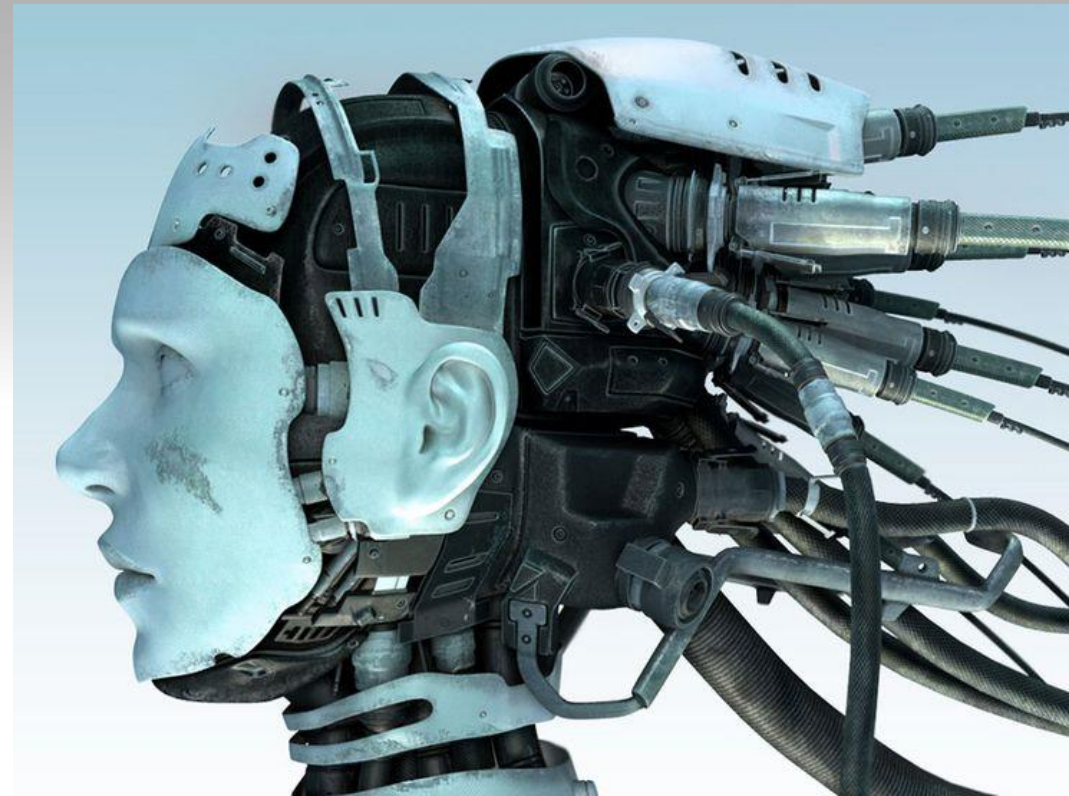


MECHATRONICS ENGINEERING:

Who is Mr. Burnham



WHO IS MR. BURNHAM?

HELLO....

CLEARs THROAT....

MR. BURNHAM IN 60 SECONDS....

I WAS BORN IN LOS ANGELES CALIFORNIA



<http://www.kaiserpermanentehistory.org/wp-content/uploads/2011/10/sunset.jpg>

WHEN I WAS 6 MONTHS OLD WE MOVED TO BOGOTÁ COLOMBIA

- My Dad worked for the Accounting Firm Ernst and Young



WHEN I WAS JUST TURNING 5 YEARS OLD WE MOVED TO BRUSSELS BELGIUM



WHEN I WAS JUST TURNING 12 YEARS OLD WE MOVED TO CLEVELAND OHIO

- Where I vividly remember staying up for 2 Lunar Eclipses



WHEN I WAS JUST TURNING 12 YEARS OLD WE MOVED TO CLEVELAND OHIO

- Where I vividly remember staying up for 2 Lunar Eclipses



WHEN I WAS JUST TURNING 12 YEARS OLD WE MOVED TO CLEVELAND OHIO

- Where I vividly remember staying up for 2 Lunar Eclipses
- And meeting John Glenn



THEN AT 16 MY DAD CHANGED JOBS...

THEN AT 16 MY DAD CHANGED JOBS...

- Bank in London?



THEN AT 16 MY DAD CHANGED JOBS...

- Bank in London?
- Bank in San Francisco?



THEN AT 16 MY DAD CHANGED JOBS...

- Bank in London?
- Bank in San Francisco?
- Bartlesville Oklahoma?



HE PICKED OKLAHOMA...

IT'S HERE AT POPULAR PRICES!

RODGERS and HAMMERSTEIN PRESENT

OKLAHOMA!

Color by TECHNICOLOR
CINEMASCOPE

The motion picture that ran for a year on Broadway at \$3.50!—complete—intact—with every scene, every song! NOW AT POPULAR PRICES!

GORDON MACRAE · GLORIA GRAHAME · SHIRLEY JONES · GENE NELSON
CHARLOTTE GREENWOOD · EDDIE ALBERT · JAMES WHITMORE · ROD STEIGER

MUSIC BY RICHARD RODGERS · BOOK & LYRICS BY OSCAR HAMMERSTEIN II

Screen Play by SONYA LEVIEN and WILLIAM LUDWIG · Dances Adapted by AGNES DE MILLE
PRODUCED BY ARTHUR HORNBLow, Jr. · DIRECTED BY FRED ZINNEMANN

A MAGNA PRODUCTION - DISTRIBUTED BY 20th CENTURY-Fox

COUNTRY OF ORIGIN U. S. A. Copyright 1956 20th Century-Fox Film Corp. Property of National Screen Service Corp. Licensed for display only in connection with the exhibition of this picture at your theatre. Must be returned immediately thereafter. 79-226

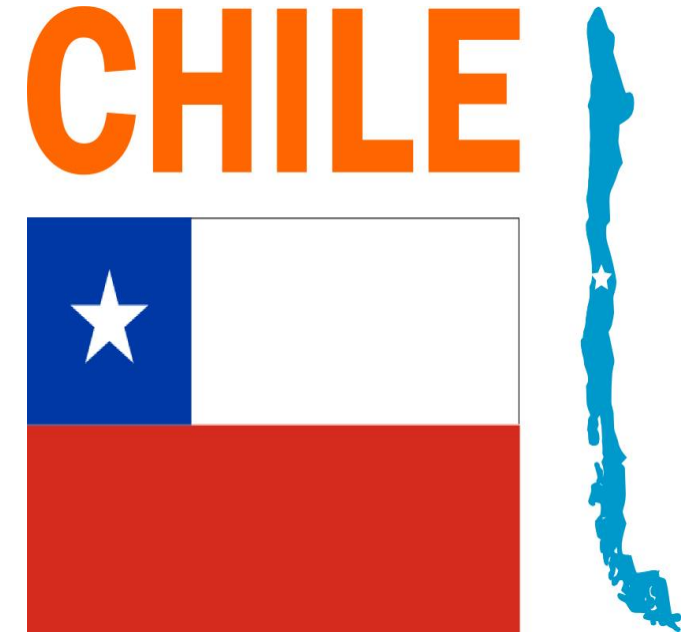
THEN LIFE SPED UP...

- Year of College @ BYU



THEN LIFE SPED UP...

- Year of College @ BYU
- 2 Years in Chile



THEN LIFE SPED UP...

- Year of College @ BYU
- 2 Years in Chile
- Semester at OSU



THEN LIFE SPED UP...

- Year of College @ BYU
- 2 Years in Chile
- Semester at OSU
- Married High School Sweetheart



THEN LIFE SPED UP...

- Year of College @ BYU
- 2 Years in Chile
- Semester at OSU
- Married High School Sweetheart
- 4 more Years @ BYU for an Electronics Engineering Technology BS



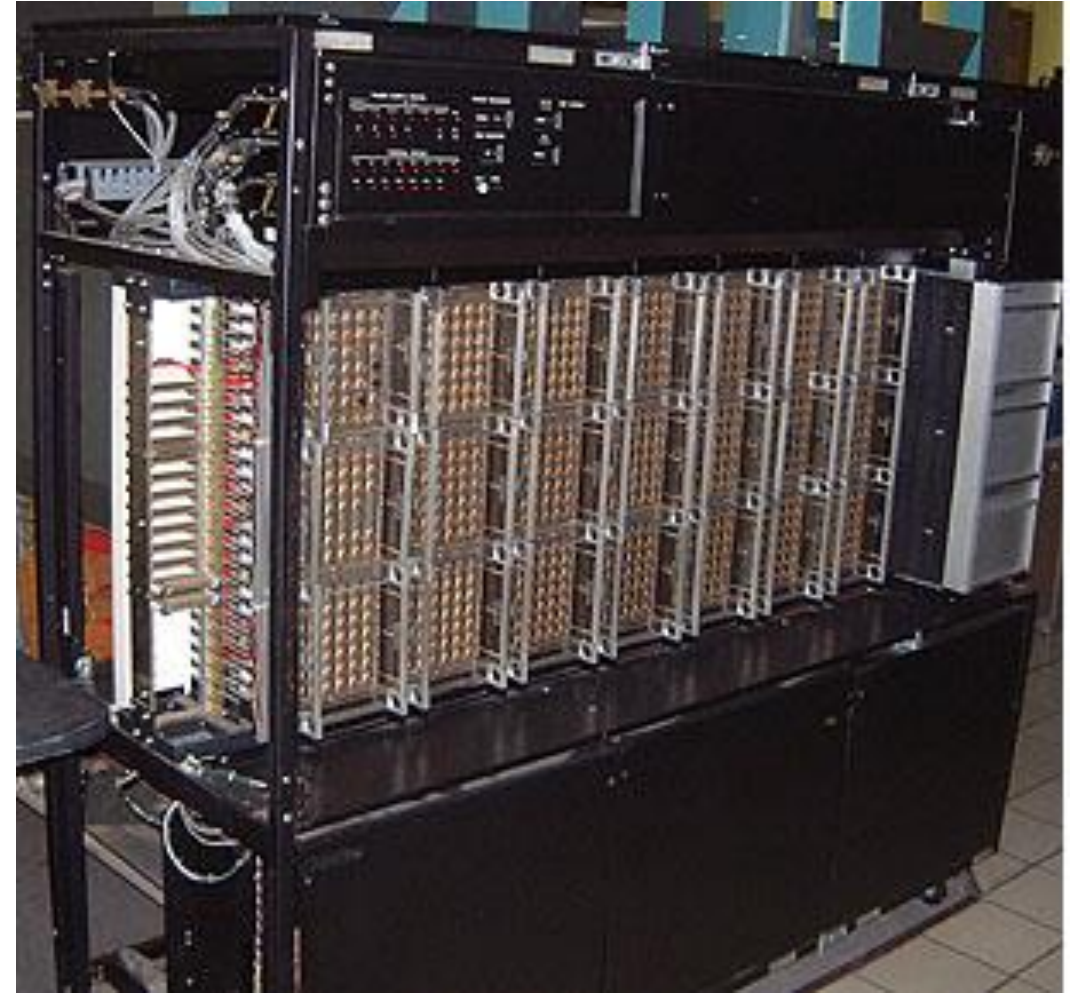
LIFE AS AN ENGINEER...

- Summer Internship, with Beehive Telephone in Wendover Nevada



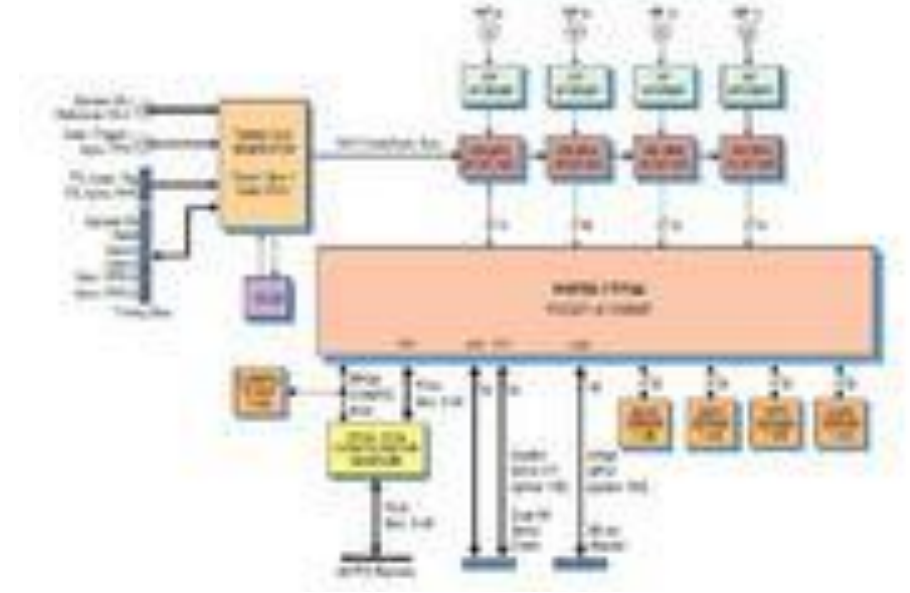
LIFE AS AN ENGINEER...

- Summer Internship, with Beehive Telephone in Wendover Nevada
- Then Amdahl in Sunnyvale CA



LIFE AS AN ENGINEER...

- Summer Internship, with Beehive Telephone in Wendover Nevada
- Then Amdahl in Sunnyvale CA
- Then for the last 20+ years I worked for Xilinx in San Jose CA

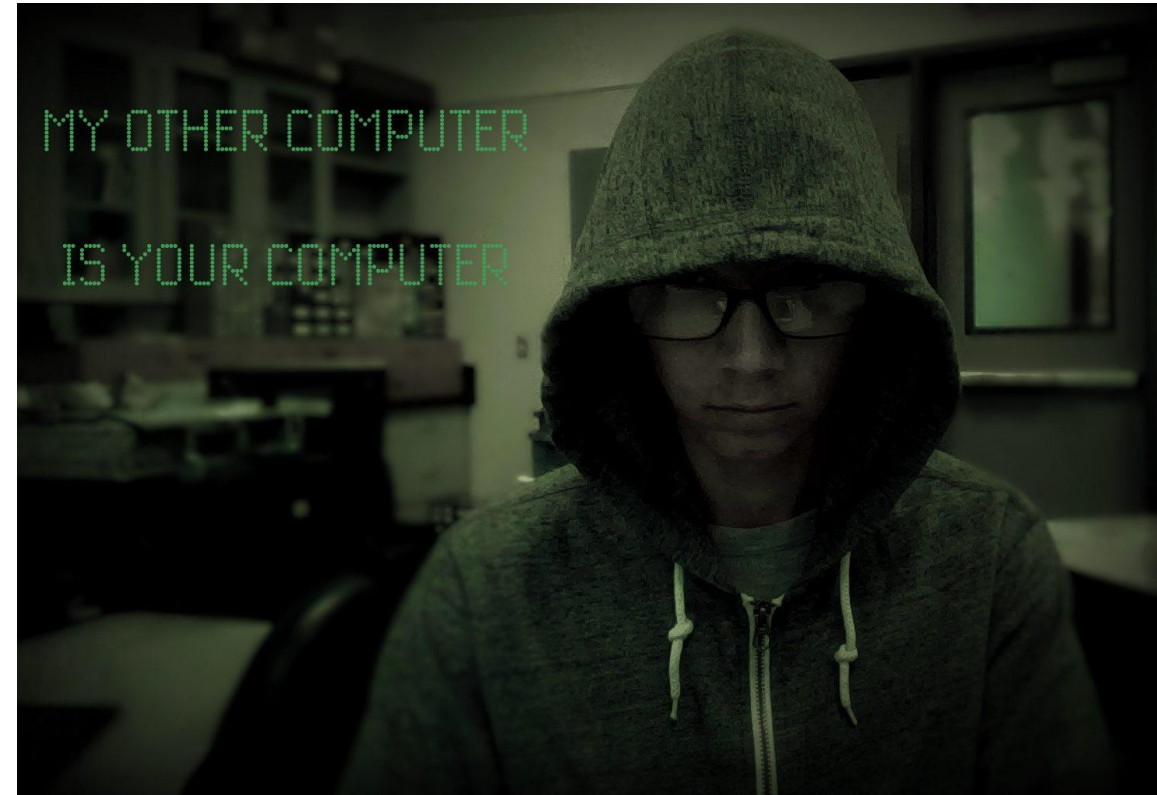


LIFE AS A TEACHER...

- I always wanted to be a teacher
- I had taught summer coding camps

LIFE AS A TEACHER...

- I always wanted to be a teacher
- I taught summer coding camps
- 2016 I taught Cybersecurity

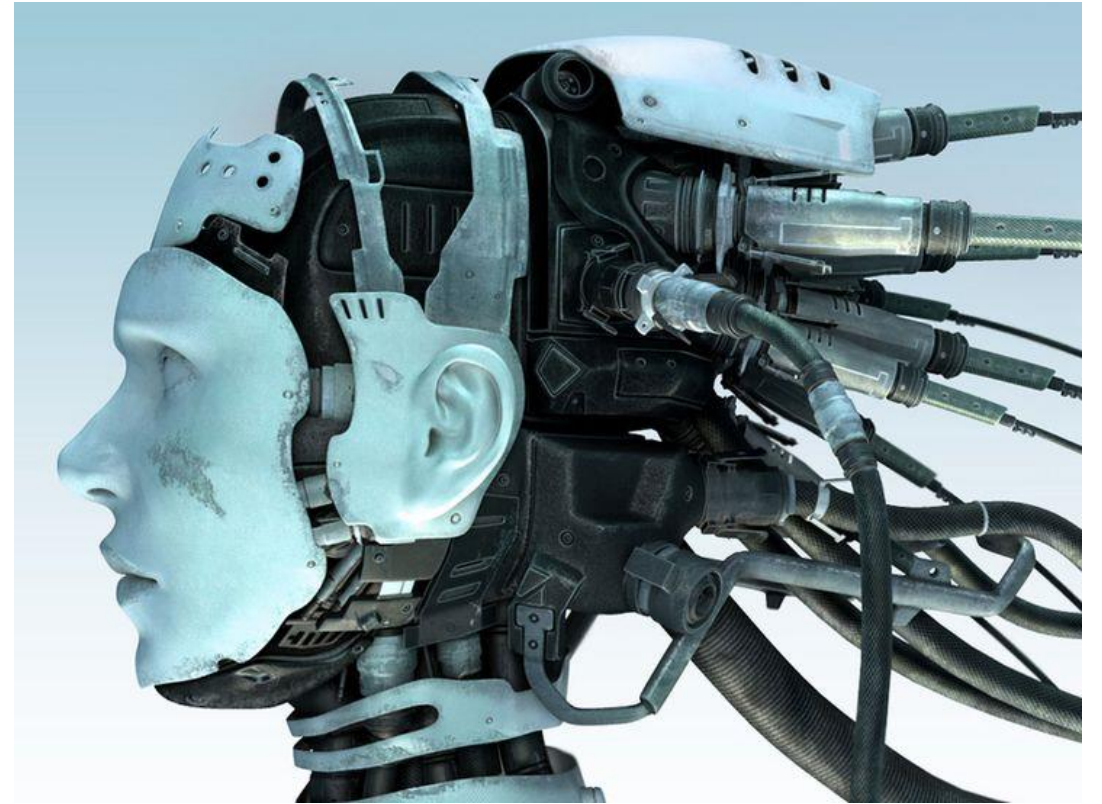


LIFE AS A TEACHER...

- I always wanted to be a teacher
- I taught summer coding camps
- 2016–17 I taught Cybersecurity
- And now I teach

Mechatronics Engineering

- Mecha = Mechanical Engineering & Design
- Tronincs = Electrical Engineering & Design



LIFE AS A TEACHER...

- I always wanted to be a teacher
- I taught summer coding camps
- 2016–17 I taught Cybersecurity
- And now I teach

Mechatronics Engineering

- Mecha = Mechanical Engineering & Design
- Tronincs = Electrical Engineering & Design

Fire Breathing Robots

