



STEAM CLOWN™ PRODUCTIONS

LET'S TURN ON AN LED



STEAM CLOWN™
& **Squeaky Hinge**
PRODUCTIONS

© Copyright 2018 STEAM Clown™



STEAM CLOWN™ PRODUCTIONS



**Attribution-NonCommercial-ShareAlike
3.0 Unported (CC BY-NC-SA 3.0)**

SEE APPENDIX A, FOR LICENSING & ATTRIBUTION INFORMATION

by-nc-sa-3.0

<https://creativecommons.org/licenses/by-nc-sa/3.0/>

<https://creativecommons.org/faq/#what-does-some-rights-reserved-mean>



HOW DOES A BREAD BOARDS WORK?

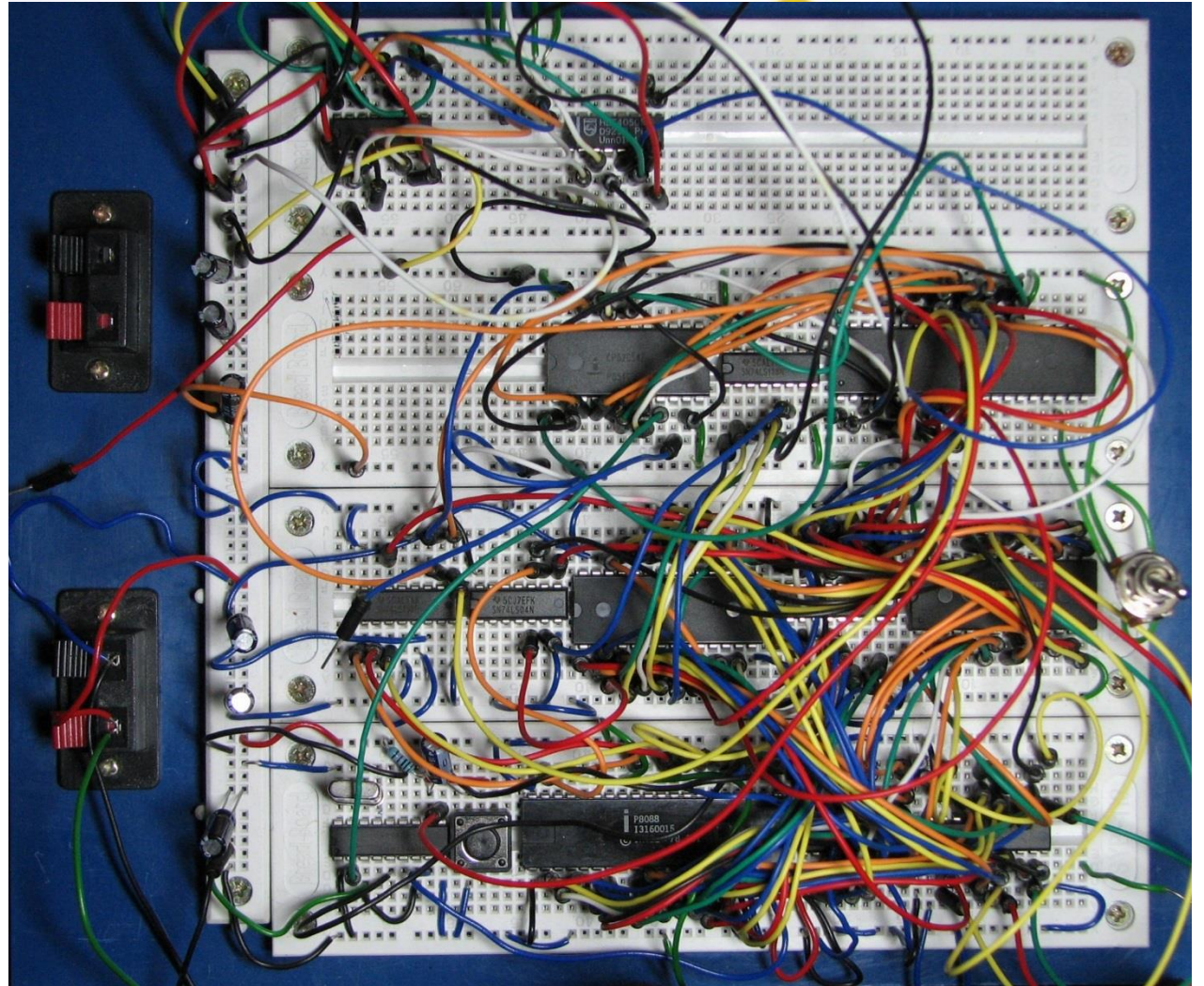


STEAM CLOWN™
& **Squeaky Hinge**
PRODUCTIONS

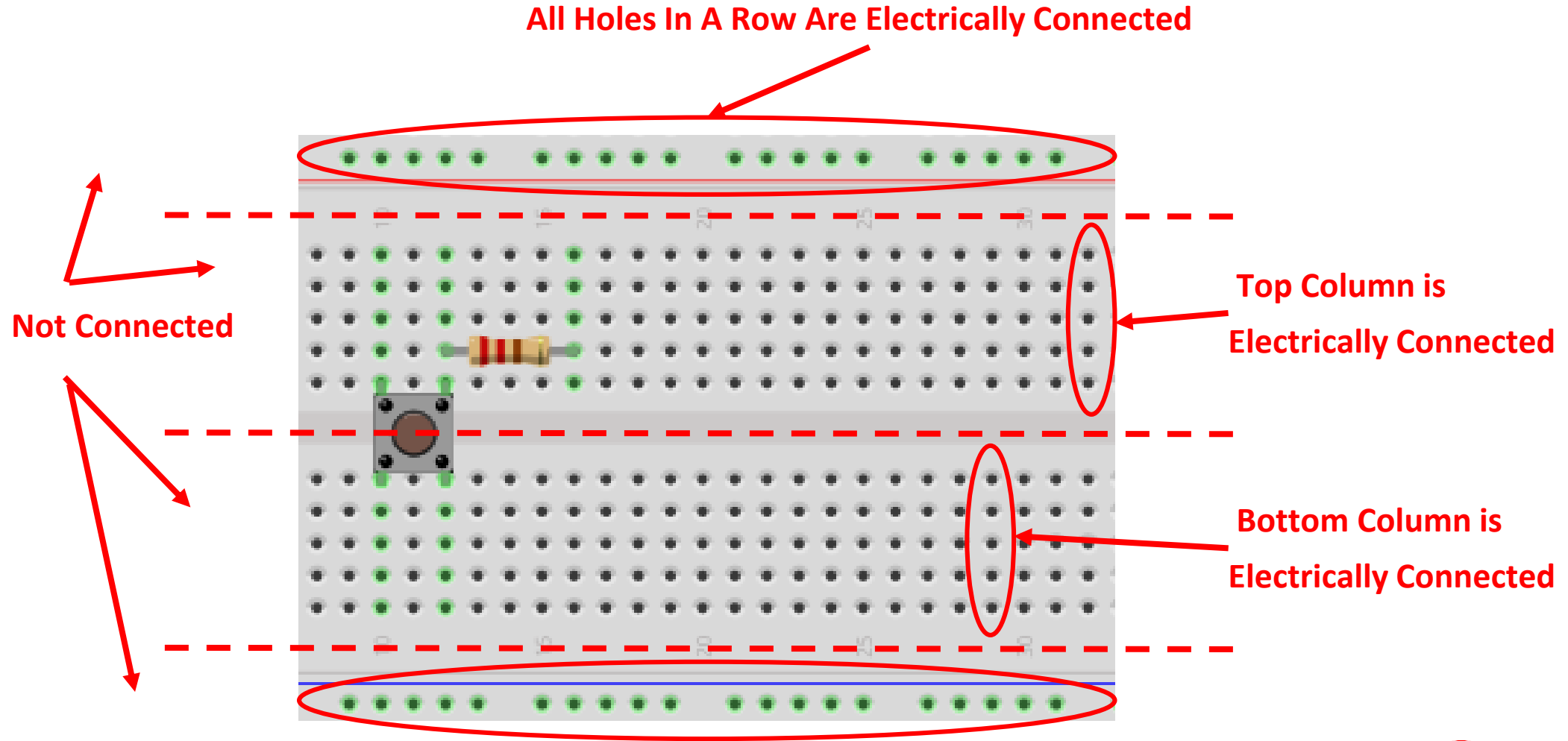
© Copyright 2018 STEAM Clown™

WHAT IS A BREAD BOARD?

- The **breadboard** derives its **name** from an early form of point-to-point construction. In the early days of radio, amateurs would nail copper wire or terminal strips to a wooden board (often literally a board for cutting bread), and solder electronic components to them.



HOW DOES THE BREADBOARD WORK?

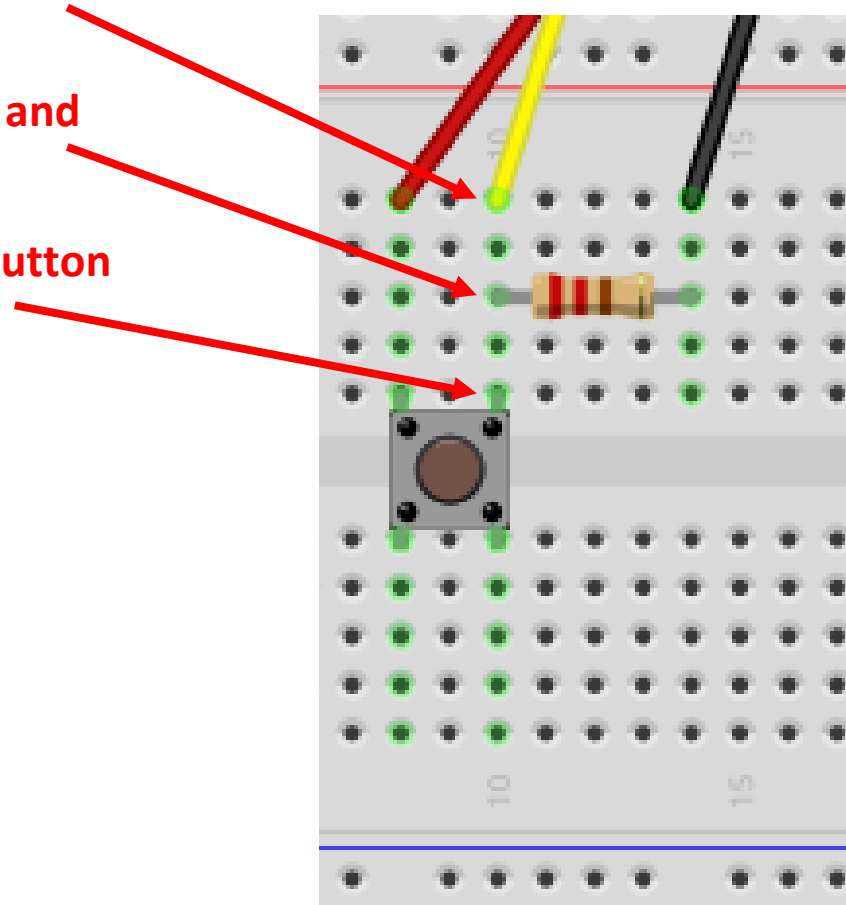


ROWS & ROWS OF ELECTRICAL CONNECTIONS

This Yellow Wire is Connected to

this Resistor pin and

this pin on the Button



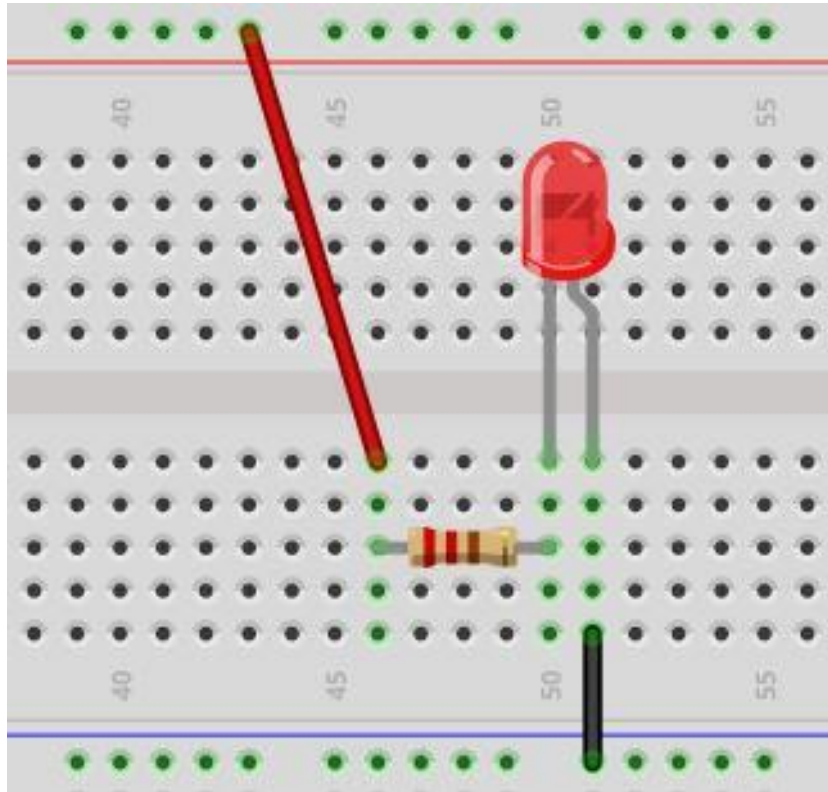
LET'S TURN ON AN LED



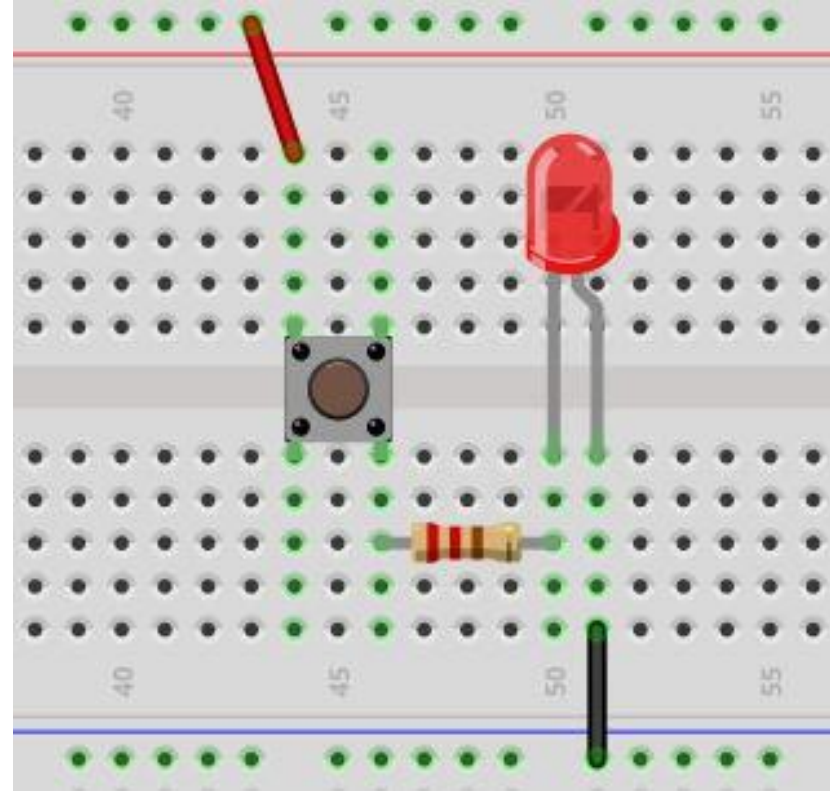
STEAM CLOWN™
& **Squeaky Hinge**
PRODUCTIONS

© Copyright 2018 STEAM Clown™

BREAD BOARDING AN LED CIRCUIT



JUST TURNS ON...



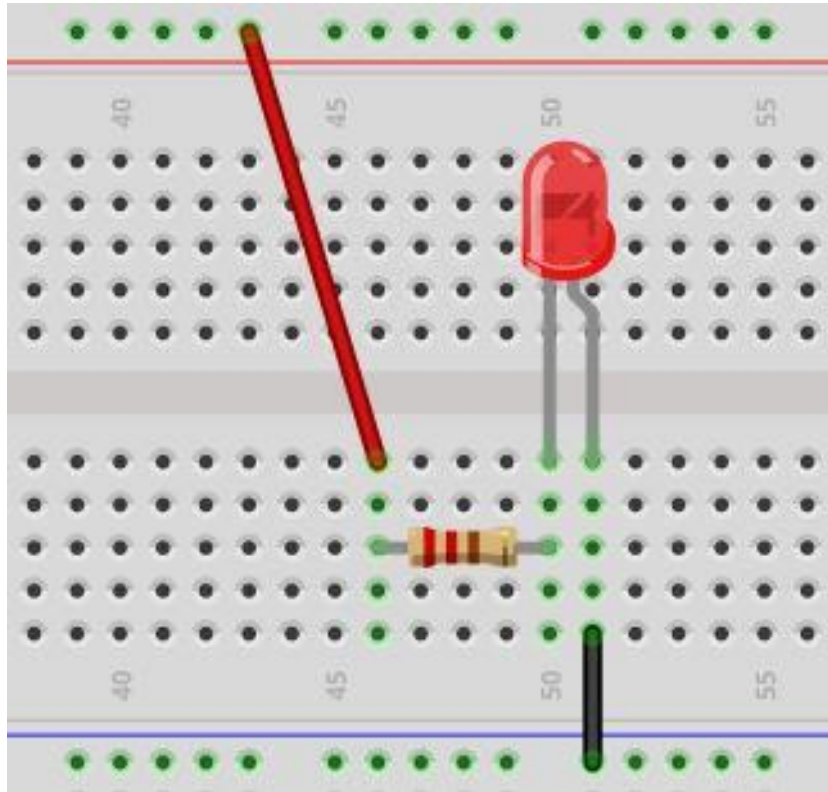
CONTROLLED BY A SWITCH...



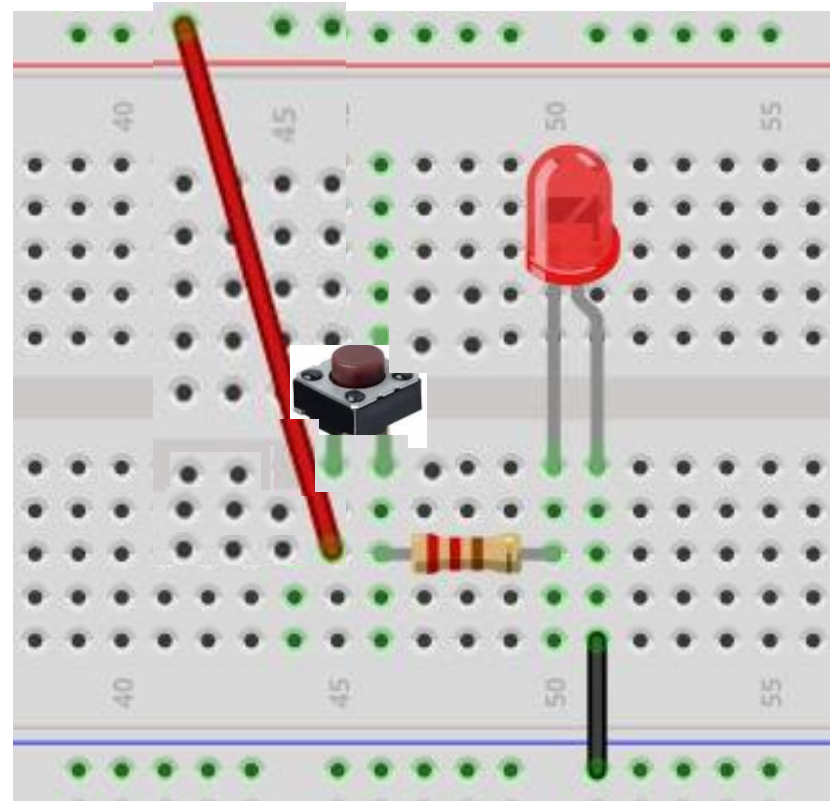
**STEAM CLOWN™
& Squeaky Hinge
PRODUCTIONS**

© Copyright 2018 STEAM Clown™

BREAD BOARDING AN LED CIRCUIT



JUST TURNS ON...



CONTROLLED BY A SWITCH...



STEAM CLOWN™
& **Squeaky Hinge**
PRODUCTIONS

© Copyright 2018 STEAM Clown™